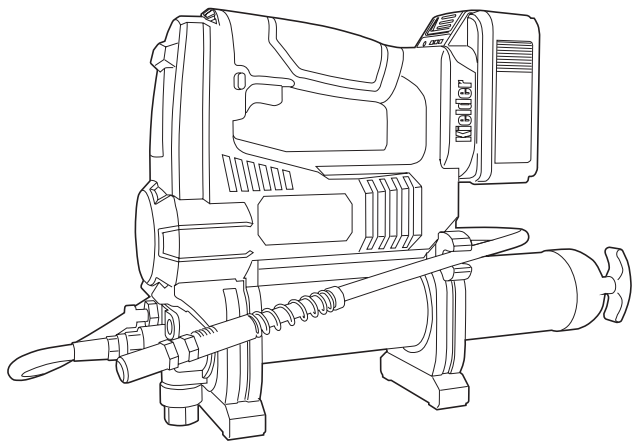




KWT-555

Kielder®

18V CORDLESS GREASE GUN



ORIGINAL INSTRUCTION MANUAL

For use with all variants of KWT-555 Cordless Grease Gun





IMPORTANT!

Please read these operating and safety instructions carefully and completely. For your own safety, before using this equipment check that the voltage is correct and that all external parts are firmly secured and the machine in tact. If you are uncertain about any aspect of using this equipment, or require support please contact Kielder WT customer services and we'll be happy to help:

Tel: 0114 242 3794

Email: tools@kielder.co

Intended Use

The tool is intended for dispensing grease.

Plug Type

- The appliance is supplied with a moulded three pin mains plug for your safety and convenience.
- Only use this plug in the socket it is intended.
- A 3 amp fuse is fitted in this plug. Should the fuse need to be replaced please ensure that the replacement fuse has a 3 amp rating and it is approved by ASTA or BSI to BS1362.
- Check for the ASTA mark or the BSI mark on the fuse.
- If the plug contains a removable fuse cover, you must ensure that it is refitted when the fuse is replaced.
- If you lose the fuse cover the plug must not be used until a replacement cover is obtained.

CONTENTS

Safety Rules & Instruction	4
Product Overview Diagram	8
Specification Table	9
Preparation & Usage	
<i>Grease Gun</i>	10
<i>Battery</i>	14
<i>Charging</i>	16
Warranty & Support	18

EC - Declaration Of Conformity

We declare that under our responsibility the product under part number:

KWT-555 18V Cordless Grease Gun

complies with the applicable EU directives: 2014/35/EU LOW VOLTAGE DIRECTIVE including the amendments and are manufactured in accordance following standards or standardised documents:

EN 60335-1:2012+A11:2014
 EN 60335-2-29:2004+A2:2010
 EN 62233:2008
 EN 55014-1:2006+A2:2011
 EN 55014-2:2015
 EN 55022:2010+AC:2011
 EN 55024:2010
 EN 61000-3-2:2014
 EN 61000-3-3:2013

All documentation is held in KWT-555 Technical File and is available, on request for review.

Authorised Signatory:

Steven Bulloss

Director

Dated: 01/12/23

Kielder WT Ltd, Unit C2, Beighton Link
 Business Park, Old Colliery Way, Beighton,
 Sheffield, S20 1DJ, UK

Noise & Vibration Data

Acoustic Pressure: <76 dB(A) K=3dB
 Acoustic Power: <85 dB(A) K=3dB
 Maximum Vibration: <2.5 m/s² / K = 1.5m/s²

Sound emission values determined according to EN62841-1. The declared vibration total value has been measured in accordance with a standard test method used to compare one tool with another and according to EN60745. Both sound and vibration values have an uncertainty factor of K. The declared total values may be used in a preliminary assessment of exposure.



WARNING!

The vibration emission during actual use of the power tool can differ from the declared total value depending on the ways in which the tool is used.

The need to identify safety measures and to protect the operator are based on an estimation of exposure in the actual conditions of use (taking account of all parts of the operating cycle, such as the times the tool is switched off, when it is running idle, in addition to trigger time). Identify additional safety measures to protect the operator such as proper maintenance of the tool, keeping hands warm and organisation of work patterns.



WARNING!

This product uses Lithium Battery cells, do not use if the battery has been damaged in transit or becomes damaged during use. If Lithium-ion cells are damaged they present a flammable hazard.

General Safety

Warning: when using electric tools, basic safety precautions should always be followed to reduce the risk of fire, electric shock and personal injury. Please read all of these instructions before attempting to operate this machine. Save this manual for future reference.

- Keep work area clear. Cluttered work areas invite accidents.
- Consider work area environment. Do not expose tools to rain. Do not use tools in damp or wet locations. Keep work area well lit. Never use tools near flammable liquids or gases.
- Protect yourself against electric shock. Avoid body contact with earthed or grounded surfaces.
- Keep other people away. Do not let others, especially children, come close to the work, and touch the tool or power cable. Keep them away from the work area.
- Store idle tools. When not in use, tools should be stored in a dry locked-up place, out of children's reach.
- Never force the tools. Your tools will be more efficient and safer when used at the rate for which they were intended.

Personal Safety

- Stay alert, watch what you are doing and use common sense when operating a power tool. Do not use a power tool while you are tired or under the influence of drugs, alcohol or medication. A moment of inattention while operating power tools may result in serious personal injury.
- Use personal protective equipment. Always wear eye protection. Protective equipment such as dust mask, non-skid safety shoes, hard hat, hearing protection, anti-vibration gloves used for appropriate conditions will reduce personal injuries.
- Prevent unintentional starting. Ensure the switch is in the off-position before connecting to power source and/or battery pack, picking up or carrying the tool. Carrying power tools with your finger on the switch or energising power tools that have the switch on invites accidents.
- Remove any adjusting key or wrench before turning a power tool on. A wrench or a key left attached to a rotating part of the power tool may result in personal injury.
- Do not overreach. Keep proper footing and balance at all times. This enables better control of the power tool in unexpected situations.
- Dress properly. Do not wear loose clothing or jewellery. Keep your hair, clothing and gloves away from moving parts. Loose clothes, jewellery or long hair can be caught in moving parts.
- If devices are provided for the connection of dust extraction and collection facilities, ensure these are connected and properly used. Use of dust collection can reduce dust-related hazards.

Safe Use Of Power Tools

Do not force the power tool. Use the correct power tool for your application. The correct tool will do the job better and safer at the rate for which it was designed.

- Do not use the power tool if the switch does not turn it on and off. Any power tool that cannot be controlled with the switch is dangerous and must be repaired.
- Disconnect the plug from the power source and/or the battery pack from the power tool before making any adjustments, changing accessories, or storing power tools. Such preventive safety measures reduce the risk of starting the power tool accidentally.
- Store idle power tools out of the reach of children and do not allow persons unfamiliar with the power tool or these instructions to operate the tool. Power tools are dangerous in the hands of untrained users.
- Maintain power tools. Check for misalignment or binding of moving parts, breakage of parts and any other condition that may affect the power tool's operation. If damaged, have the power tool repaired before use. Many accidents are caused by poorly maintained power tools.
- Keep cutting tools sharp and clean. Properly maintained cutting tools with sharp cutting edges are less likely to bind and are easier to control.

- Use the power tool, accessories and tool bits etc. in accordance with these instructions, taking into account the working conditions and the work to be performed. Use of the power tool for operations different from those intended could result in a hazardous situation.

Battery & Charger

Recharge battery only with the charger specified by the manufacturer. A charger that is suitable for a certain type of battery pack may create a risk of fire when used with another battery pack.

- Use power tools only with specifically designated battery packs. Use of any other battery packs may create a risk of injury and fire.
- Keep battery pack and charger away from other metal objects, like paper clips, coins, keys, nails, screws or other small metal objects, that can make a connection from one terminal to another. Shorting the terminals together may cause burns or a fire.
- Under abusive conditions, liquid may be ejected from the battery; avoid contact. If contact accidentally occurs, flush with water. If liquid contacts eyes, additionally seek medical help. Liquid ejected from the battery may cause irritation or burns.

Service

Have your power tool serviced or repaired by Kielder or a qualified technician using only identical replacement parts. This will ensure that the safety of the power tool is maintained.

Additional Safety & Working Instructions



- Wear ear protectors. Exposure to noise can cause hearing loss.



- Wear eye protection to protect from loose particles which may be thrown up by the motion of the tool.



- Wear a dust mask if the work involves dust.



- Wear protective gloves according to grease manufacture guidance.

- Hold the tool firmly.
- Do not operate the tool near flame, the grease may be flammable.
- Use only grease that meets the specifications stated in this instruction manual. Installing a different type of grease or any materials other than grease may cause failure.
- Do not install any materials which is not grease, for example oil as it may squirt out of the tool and get into eyes. Never use adhesives or sealants, these will cause failure of the tool
- Never carry the tool by the flexible hose or the rod handle.
- Wear goggles when using the tool.
- Check the flexible hose before each use. Do not use the hose if it is damaged or crimped. The hose may be ruptured by high pressure and cause injury.

- When changing grease cartridge, ensure the rod is secured firmly. The rod may move accidentally and cause injury.
- Read and follow the instructions of grease manufacture before usage.
- Keep hands and clothes away from the rod of the rod handle. Otherwise your fingers or clothes may be trapped.
- Wipe off grease adhering on the tool. Otherwise it may cause slipping and result in an injury.
- Do not bend the flexible hose forcibly or stamp it. Doing so may cause a breakage or deformation of the hose.
- Do not point the adapter at anyone in the vicinity.
- Use the flexible hose only specified by Kielder, using any other hose might present a risk of injury.



CAUTION!

This product is powered by a rechargeable battery system, please

pay attention to these additional instructions:

- When the battery pack is not being used, the battery should be stored so that foreign substances like dust and water do not contaminate the terminals.
- When the battery pack is being charged, ensure that the terminals are free of dust and water. Clean the terminals before using the battery if any foreign substances are seen.
- The life of the battery pack may be adversely affected by dust or water during operation.
- If the motor or battery becomes hot, the protection function will activate and the motor or battery will stop operating.
- Before inserting the battery pack, always check to ensure that the tool is turned off.

- For safe use ensure that the battery pack is installed properly and securely to the main unit before operating.
- Do not use other than the Kielder battery packs that are designed for use with this rechargeable tool.



- Kielder is not responsible for any damage or accident caused by the use of recycled or counterfeit battery packs.

- Do not dispose of the battery pack in a fire or expose it to excessive heat.
- Do not attempt to dismantle or modify the battery pack.
- Do not subject the battery pack to shocks or drive nails or similar items into it.
- Do not allow metal objects to touch the terminals on the battery pack.
- Do not carry or store the battery pack in the same container as nails or small metal objects.



- Do not charge the battery pack in a high temperature location e.g. next to a fire or in direct sunlight. The battery may overheat, catch fire or explode.
- Do not use other than the dedicated charger to charge the battery pack as the battery may leak, overheat or explode.
- When removing the battery pack from the tool or the charger, always reattach the pack cover as the battery contacts could be shorted, leading to a risk of fire.
- When the battery pack has deteriorated replace it with a new one. Continued use of a damaged battery pack may result in heat generation, ignition or rupture of the battery.

Collection And Disposal Of Old Equipment And Used Batteries:

These symbols on the products, packaging and accompanying documents mean that used electronic products and batteries should not be mixed with general household waste.



For proper treatment, recovery and recycling of old products and used batteries, please take them to applicable collection points, in accordance with the national legislation and the Directives 2002/96/EC and 2006/66/EC.

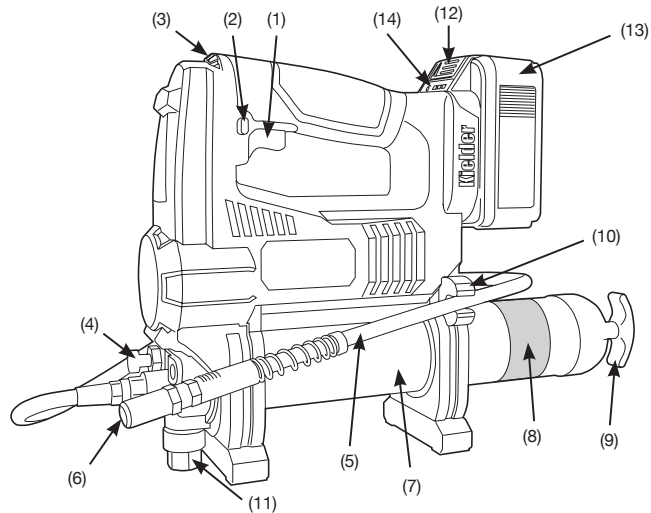
By disposing of these products and batteries correctly, you will help to save valuable resources and prevent any potential negative effects on human health and the environment which could otherwise arise from inappropriate waste handling.

For more information about collection and recycling of old products and batteries, please contact your local municipality, your waste disposal service or the point of sale where you purchased the items.

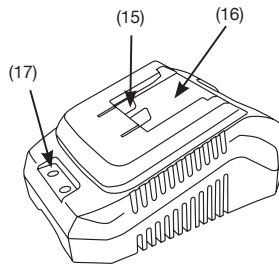
Penalties may apply for the incorrect disposal of waste in accordance with national legislation.

Grease Disposal:

Unused grease is a hazardous waste product and must be either recycled or disposed of properly through a specialist company or local facility. Do not dispose of unused grease within household waste, into sewers, drains or in the environment.



- (1) Trigger
- (2) Trigger Lock
- (3) Speed Control
- (4) Air / Pressure Release Valve
- (5) Flexible Hose
- (6) Dispenser Nozzle
- (7) Grease Barrel
- (8) Barrel Grip
- (9) Barrel Handle
- (10) Hose Clip
- (11) Pressure setting knob (factory set, Do not adjust)



- (12) Battery Release Button
- (13) Battery; *attached to tool*
- (14) Battery Charge Level
- (15) Charger
- (16) Battery Insert Slide
- (17) Charging Indicator

SPECIFICATIONS

Main Unit


Maximum Pressure	10,000psi
Flow rate	280g / min
Speed Settings	1 - 5
Flexible Hose Length	76cm
Grease Capacity	400ml Cartridge / 455g bulk
Max Grease Viscosity	Up to NLGI 2
Weight (with battery KWT-003-25 fitted)	4.1kg
Weight (without battery fitted)	3.5kg
Motor Voltage	18.0V - DC
Battery Type	Lithium-ion

Battery Pack





Model	KWT-003
Cell Type	Lithium-ion
Battery Voltage	18.0V DC
Weight (KWT-003-25)	0.6Kg

Battery Charger

Model	KWT-004
Ratings	See Rating Label on Base of Charger
Charge Time: KWT-003-25	90 mins
Weight	0.4Kg

V	Volts
==	Direct Current
min ⁻¹	Revolutions Per Minute
Ah	Electrical Capacity
	Class II construction (double insulated)

	Read Instruction Manual Before Use
	Wear Hearing Protection
	Wear Safety Glasses
	Wear Vibration Absorbing Gloves

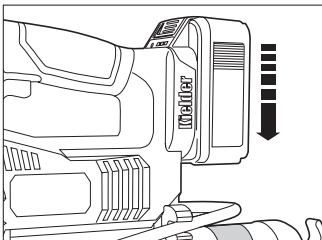
	Indoor Use Only
	Conforms to CE standard
	Do not burn or incinerate
	Maximum safe ambient temperature for battery

Attaching or Removing the Battery Pack

Connect The Battery Pack:

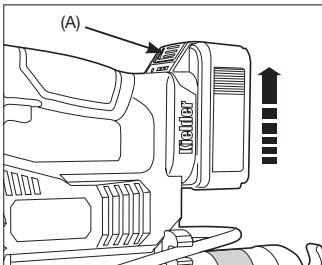
Line up the alignment channels and slide on the battery pack.

Slide the battery pack until it locks into position with an audible “CLICK”.



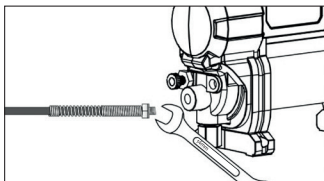
Remove The Battery Pack:

Depress the button (A) at the front of the battery indication panel and slide the battery pack out.



Attaching the Flexible Hose

Using a 14mm wrench / spanner, attach the hose to the front of the machine as shown below. Nip the fastening to fully seal the copper washer against the casting, taking care not to overtighten and strip the threads.



USAGE

Installing Grease Cartridge



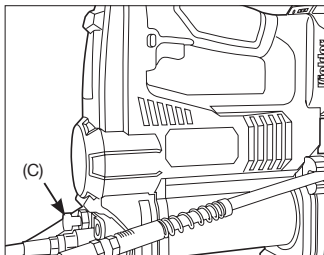
CAUTION!

DO NOT USE ANY OTHER SUBSTANCE OTHER THAN GREASE. Installing Sealants or Adhesive type products will cause the unit to fail.

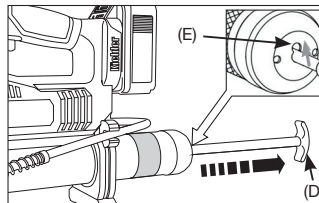
IMPORTANT

This grease gun is compatible with standard sized 400ml grease cartridges.

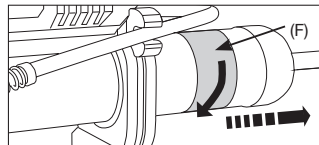
- Remove battery pack and engage the trigger lock (B).
- Unscrew the brass air bleed valve (C) around 3 full turns, do not remove.



- Pull the handle as far as out it will go (D) and secure the rod by angling the rod into the keyway on the rear of the barrel cap (E). This secures the mechanism, ready for detaching the barrel from the main body.



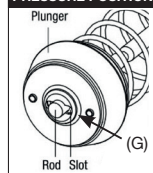
- Grip the knurled / textured section of the barrel (F) and fully unscrew by turning anti-clockwise. Withdraw the barrel fully away from the main body, taking care not to dislodge the rod from the keyway (E).



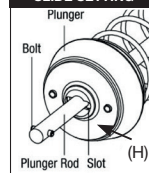
IMPORTANT

Whenever the barrel is removed check the rod and plunger are in the ‘Pressure’ position (G) where the bolt on the plunger rod is turned 90 degrees inside the plunger, and cannot move through the slot. If the plunger rod is in the ‘Slide’ setting (H) then the grease will not pressurise properly and fail to pump.

PRESSURE POSITION



SLIDE SETTING



- Remove the plastic cap from the grease cartridge and insert (this end first) into the barrel.
- Once the cartridge is fully inserted into the barrel, remove the seal piece from the cartridge, usually a ring pull or similar.
- Refit the barrel into the main machine body and tighten (clockwise) into place.
- Release the rod from the keyway by pulling and moving back into the centre of the barrel, this will then part pressurise the system.
- Complete the process by pushing the handle firmly and moving the rod into the barrel, the plunger will then pressurise the system further, continue pushing until grease starts to emit from the bleeder valve.
- Now tighten the bleeder valve and the unit is ready to be primed (see section prime the the grease gun).
- Once the gun is pressurised and operating properly, the handle can be rotated to engage the slide setting (H) this allows the rod to slide into the barrel, rather than protruding into the work area.

Removing Grease Cartridge

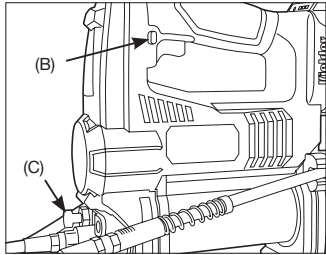
- Remove battery pack and lock the trigger (B)
- Unscrew the air bleed valve (C) around 3 full turns, do not remove.
- Pull the handle as far as out it will go (D) and secure the rod by angling the rod into the keyway on the rear of the barrel cap (E)
- Grip the knurled / textured section of the barrel (F) and fully unscrew by turning anti-clockwise. Withdraw the barrel fully away from the main body, taking care not to dislodge the rod from the keyway (E).
- Release the rod from the keyway by pulling and moving back into the centre of the barrel, allow the rod and plunger to slide through the barrel; ejecting the empty cartridge.

Filling with Bulk Grease (Without Cartridge)

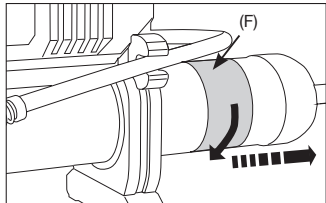
IMPORTANT

Whilst this product is capable of bulk grease loading, this is for advanced users only. For easy operation, standard cartridges are strongly recommended.

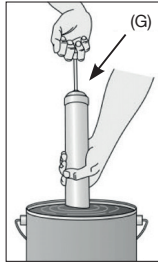
- Remove battery pack and engage the trigger lock (B).
- Unscrew the brass air bleed valve (C) around 3 full turns, do not remove.



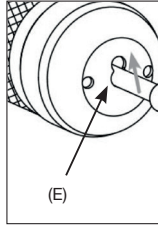
- Grip the knurled / textured section of the barrel (F) and fully unscrew by turning anti-clockwise. Withdraw the barrel fully away from the main body.



- Insert the open end of the barrel just below the surface of the grease which is to be loaded.
- Pull back the handle to withdraw the rod and plunger (G) which in turn will then load the bulk grease into the barrel.



- With the handle fully pulled back secure the rod by angling the rod into the keyway on the rear of the barrel cap (E). This secures the mechanism, ready for re-fitting the barrel into the main body.



- Wipe excess grease from the outside of the barrel and screw it back into the main machine body.
- Release the rod from the keyway by pulling and moving back into the centre of the barrel, this will then part pressurise the system.
- Complete the process by pushing the handle firmly and moving the rod into the barrel, the plunger will then pressurise the system further, continue pushing until grease starts to emit from the bleeder valve.
- Now tighten the bleeder valve and the unit is ready to be primed (see section prime the grease gun).

Priming The Grease Gun

- Connect the battery pack .
- Remove the hose from the hose clip and take off the hose cap.
- Unscrew the brass air bleed valve (C) around 3 full turns, do not remove. If any air is in the system it will now escape. Once all air has escaped you should see grease being emitted from the small hole in the side of the valve.
- Tighten the bleed valve (C)
- Choose a flow rate by adjusting the speed control.
- Hold the hose by the spring, and direct into a waste grease container.
- Depress the trigger to operate the machine.
- After several seconds of continuous running (up to 30sec) grease should now be pumping smoothly from the hose tip.
- Adjust the speed control accordingly to adjust flow to the desired rate.

Purging Air Pockets

IMPORTANT

Air pockets within the grease can adversely can affect the flow. Prime properly to eliminate air pockets after each refill or if the machine fails to pump grease.

- Unscrew the brass air bleed valve (C) around 3 full turns, do not remove. If any air is in the system it will now escape. Once all air has escaped you should see grease being emitted from the small hole in the side of the valve.
- Tighten the bleed valve (C)
- Hold the hose by the spring, and direct into a waste grease container.
- Depress the trigger to operate the machine.
- After several seconds of continuous running (up to 30sec) grease should now be pumping smoothly from the hose tip.
- If grease fails to flow repeaty the process



WARNING!

This unit is equipped with a pressure overload system, if the maximum pressure of 10,000psi is exceeded, this will activate and grease will emanate from the pressure setting knob. If this occurs, stop operation immediately, withdraw the machine from the application and allow the unit to rest for up to 30minutes for the pressure to subside.

Clearing Contamination

- After following the priming and purging instructions, if the motor is running, but grease is not being pumped, there may be contamination in the grease gun. Always make sure the barrel (inside and outside) and surfaces around the barrel are clean of dirt, dust and debris. This debris can be pulled into the grease gun and clog the valve preventing proper operation.

Maintenance

- This tool requires no major additional lubrication or maintenance other than the processes detailed in this manual, only to keep the tool in a good clean condition.
- Use only a dry soft cloth or brush for cleaning the tool or a gentle flow of compressed air. Do not use a damp cloth, thinner, benzene etc or other volatile solvents for cleaning.
- If the inside of the tool or battery pack is exposed to water, drain and allow to dry thoroughly as soon as possible. If you experience any problems when operating the tool, contact Kielder WT.

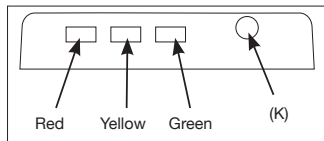


CAUTION!

Don't operate the tool continuously when switching battery packs. The tool requires time to cool down in between. In normal operating ambient temperatures this should take around 5 minutes, in hot working conditions allow a longer time for the tool to cool down.

Battery Level Indicator

The Battery Level indicator is located on the front of the battery. To check the amount of power remaining, press and hold the small circular button (K) on the indication panel.



Take note of which of the three lights are illuminated.

Red, Yellow & Green illuminated = High Charge (suitable for normal machine operation)

Red & Yellow illuminated = Low Charge (unsuitable for normal machine operation)

Red light illuminated = No Charge (will not power machine)

If the battery is of low charge, it should be charged before further use.

The battery level indicator may be used with battery connected or disconnected to the tool.

If the tool is started with little battery power remaining, it may stop operating after a short time. If this happens, check the battery power remaining by pressing the small circular button (J) on the indicator panel and charge the battery pack accordingly.

- Excessive discharging of lithium-ion batteries dramatically shortens their life. This tool includes a battery protection feature to prevent excessive discharging of the battery pack. If the tool is subject to a sudden load during use that causes the motor to lock, the over-discharge prevention sensor may trigger. If this happens, address the issue that caused the motor to lock and cycle the trigger.

NOTE:

The battery level indicator is just a guide. The indication may change due to the condition of the battery or the ambient temperature.

LED Light

If this tool is equipped with an automatic LED light which helps to illuminate the work area: The light illuminates with very low current and it does not adversely affect the tool's performance during use or the capacity of the battery.

CAUTION!



- Any built in LED light is designed to illuminate the work area temporarily.
- Do not use it as a substitute

for a regular flashlight as it does not have sufficient brightness.

Note: The LED light turns off automatically a few seconds after the wrench has stopped operating.

WARNING!



DO NOT STARE INTO THE BEAM – LED lights are very bright and may cause injury to the eye.

Battery Care

- The battery pack is not fully charged at the time of purchase. Be sure to charge the battery before use.
- For optimum battery life, store the battery pack following use without charging it.
- Do not charge the battery pack when the temperature is below 0°C or above 40°C.
- When charging the battery pack ensure that the terminals on the battery charger are free of foreign objects such as dust and water. If any dirt is found on the terminals clean the terminals before charging the battery pack. The life of the battery pack terminals may also be affected by foreign objects during operation.
- Avoid storing the battery pack in a container with other metal objects such as nails, coins, etc. Metal objects can make a connection from one terminal to another and could short the battery terminals resulting in overheating and irreparable damage to the battery, sparks, burns or fire.
- Do not touch the terminals with any conductive material.
- When operating the battery pack, ensure that the work place is well ventilated.
- When the battery pack is removed from the main unit, store the battery in a location to prevent dust or dirt from contaminating the battery terminals which may cause a short circuit.
- Do not store the battery pack in locations where the temperature may reach or exceed 45°C.

- Do not incinerate the battery pack even if it is severely damaged or is completely worn out. The battery pack can explode in a fire.
- Do not expose the battery pack to water or rain.
- Be careful not to drop, shake or strike the battery.

Battery Pack Life

The rechargeable batteries have a limited life. If the operation time becomes short after recharging, replace the battery pack.



ATTENTION! Battery Recycling

For environmental protection and recycling of materials, please ensure that the battery pack is disposed of at an officially assigned location.

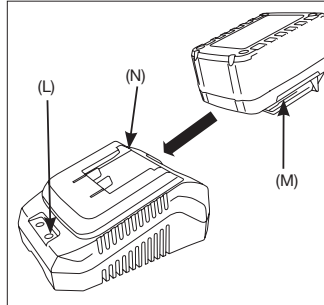
Charging The Battery Pack



CAUTION!

- The charger is designed to operate on standard domestic electrical power as shown on the rating plate. Charge only on the voltage indicated on the rating plate e.g. 230v/50Hz.
- Do not attempt to use it on any other voltage or frequency rating!
- If the temperature of the battery pack is extremely low, charging may automatically stop to prevent degradation of the battery.
- The ambient temperature range for charging is between 0°C and 40°C. The battery pack may not work if the temperature is outside these parameters.
- When charging a cool battery pack (below 0°C) in a warm place, leave the battery pack at the place and wait for more than one hour to warm up the battery to the ambient temperature.
- Allow the charger to cool in between charges, when charging more than two battery packs consecutively.
- Do not insert your fingers onto the contact area at any time.
- To prevent the risk of fire or damage to the battery charger, do not cover vent holes on the charger and the battery pack.
- Unplug the charger when not in use.
- Take care to ensure metal objects such as nails, coins etc are kept away from the charger. Metal objects can make a connection from one terminal to another and could short the charging unit.
- Ensure that the terminals on the charger are free of foreign objects such as dust and water. If any dirt is found on the terminals clean the terminals before charging the battery pack.

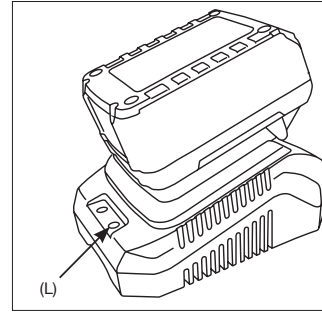
- When the charger is not in use, store in a location to prevent dust or dirt from contaminating the terminals which may cause a fault or short circuit.
 - Position the charger on a work bench or similar in a well ventilated location and ensure that the charger cannot be covered by workshop cloths etc.
 - Plug the charger into a suitable power socket. The green LED (L) will illuminate.
- Note:**
Sparks may be produced when the plug is inserted into the power supply but this isn't a problem in terms of safety.
- Connect the battery pack into the charger; line up the alignment channels on the battery (M) with the corresponding channels on the charger (N) and slide the battery into place.



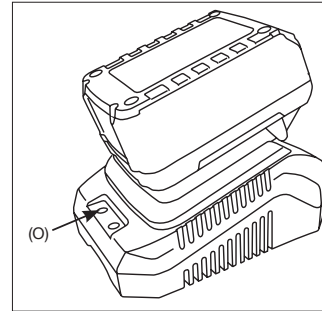
WARNING!

When a battery becomes discharged due to prolonged use or exposure to direct sunlight or heat, always allow the battery pack to cool down before recharging. This will allow the battery to be recharged to its full capacity.

- The red charging LED (O) will be illuminated during charging. When charging is completed an internal electronic switch will automatically trigger to prevent overcharging. Charging may not start if the battery pack is warm (such as immediately after sustained use).



- When charging is complete the red LED (O) will extinguish and the green LED will illuminate (K).



- Once charging is complete slide the battery out of the charger, disconnect the charger from power supply and store.

Charging Times

- Normal charging time for the KWT-003-25 5.0Ah battery pack is between 75-90mins, but this can vary depending upon circumstances.
- If the battery pack is not fully discharged it may take less than 75 minutes to recharge.
 - If the battery pack and ambient temperature are cold then recharging could take up to and over 90 minutes.
 - If the battery pack is very hot it may not recharge. Allow it to cool right down before beginning the charging process.

Charging Indicator

This charger is designed to detect problems that can sometimes arise with rechargeable battery packs. The status of the LED's can alert the operator to a potential problem with the battery pack. This will be either by the Green LED staying illuminated when a discharged battery is connected i.e the charger remains in standby mode, or by the red LED failing to turn off at the end of a charge. If any issue is suspected with the battery do not attempt to re-charge or use it.

Note:

If battery pack failure is suspected, we recommend that the operator inserts a new battery of known quality into the charger to check that the charger is working correctly. If the new battery charges correctly, then the original battery is probably defective and should be sent for safe recycling. If the new battery pack displays the same problems as the original, have the charger tested by a qualified person.

Warranty & Support

The Kielder 3 Year Warranty

To take advantage of the Kielder 3 year warranty the product **must be registered within 30 days of Purchase or Delivery.**

Please register your product by completing the online form at:

www.kielder.co

...or call customer services on:

0114 242 3794

Why is Registration a Requirement?

For Kielder to be able to fully support & service a product warranty over a 3 year period it is **imperative that the product is registered.** If the product hasn't been registered we're simply not able to fully administer a warranty of this duration and therefore can only offer a **standard 12 month guarantee for any unregistered product.**

Warranty Statement

- Each Kielder product is thoroughly inspected during production and is guaranteed to perform as specified. The product will be free of defects, in both workmanship and materials, for the duration of the warranty from the date the product is purchased.
- The warranty becomes effective at the date of purchase (or the date of delivery if this is later).
- In the event that your machine needs repairing or replacing, you must provide proof of purchase/delivery before any work can be carried out on your machine. Without this, any work carried out may be chargeable.
- If your product requires attention from our engineers, we aim to have it collected & repaired within 7-10 working days.
- The repair or replacement of your machine under warranty will not extend the period of warranty.

- The warranty provides benefits which are additional to and do not affect your statutory rights as a consumer.

What is covered?

- The repair or replacement of your machine (at Kielder's discretion), if your machine is found to be defective due to faulty materials, workmanship or function within the warranty period (if any part is no longer available or out of manufacture, Kielder will replace it with a functional replacement part).
- Use of the machine in the UK only, overseas users should contact the official importer or retailer for that country.

What is not covered?

- Kielder does not guarantee the repair or replacement of a product incurred as a result of normal wear and tear.
- Usage of the product within a construction site environment.
- Accidental damage, faults caused by negligent use or care, misuse, neglect, careless operation or handling of the product which is not as instructed in Kielder's Instruction manual.
- Use of parts which are not assembled or installed in accordance with the instructions of Kielder.
- Use of parts which are not Kielder genuine components.
- Faulty installation (except installation by Kielder).
- Repairs or alterations carried out by parties other than Kielder.

How to contact Kielder

If you have any queries over your product, please don't hesitate to contact us via:

tools@kielder.co

or call customer services on:

0114 242 3794.

...and we'll be happy to help.

KielderWT[®]

KIELDER WORKS TEAM

Kielder WT Ltd
Sheffield, UK

T: +44 (0)114 242 3794

E: tools@kielder.co

W: <http://www.kielder.co>



Kielder Tools

